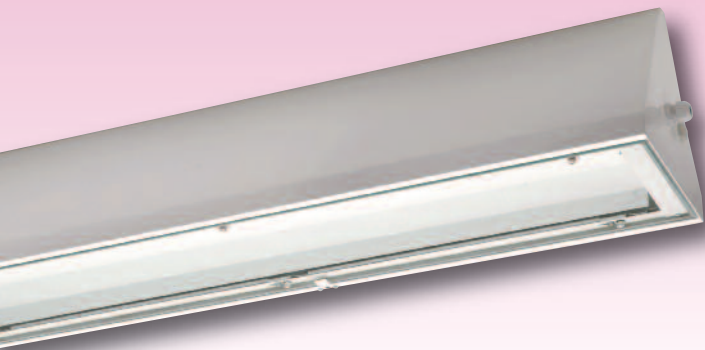


## Explosion-Protected Sheet Steel Light Fitting for Dust Hazardous Areas of Zone 22 Series nD187/188...



### Applications:

Dust hazardous areas of zone 2 and zone 22

### Design:

**Housing:** Sheet steel, powder coated in white (RAL 9016), stainless steel upon request.

**Glass cover:** Impact resistant safety glass pane, frameless / hinged.

**Reflector:** Hinged, white painted sheet steel, detachable.

**Central locking system** operated by a 5mm allen key, hinges on the opposite side.

**Wiring:** Eletronic ballast.

**Connecting terminal:** Standard L1 + N +PE, up to 2,5mm<sup>2</sup> max. (6,0mm<sup>2</sup> on request).

**Cable entries:** 3 entries M25 x 1,5 (2 glands, 1 of them with plug and 1 screw plug) LOOP-IN/OUT possible, for some versions temperature resistant cable is required

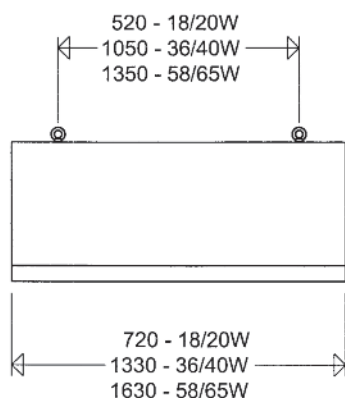
**Through wiring system:** 5 x 2,5mm<sup>2</sup> through wiring or preparation for 5-pole LOOP-IN/OUT at extra charge

**Mounting:** Horizontal, with 2 eyebolts (included).

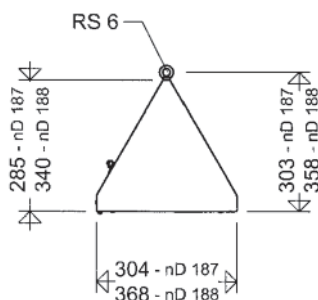
### Note:

For installation in humid and corrosive atmospheres please select light fittings with housings in stainless steel.

When idle the light fittings must not be exposed to an a.t. of more than +85°C.



### Eyebolt RS 6

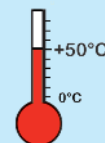


Looping the cable on one side:

All light fittings of series nD187/188.. have got 2 cable entries on one small side of the housing for cable looping instead of the through wiring system.

### Schuch Quality - your advantage:

- sturdy design of high chemical resistance for application in rough industrial conditions:**
  - housing in a special dust repellent design, made from powder coated sheet steel or upon request from stainless steel
  - frameless safety glass pane
  - solid central locking system made from galvanized steel and high-grade stainless steel hinges
- easy to install and maintain, safety implemented**
  - suspension mount by means of chains or steel cables
  - Original SCHUCH central locking system with hingeable safety glass pane for easy lamp replacement
  - easily accessible connection compartment via hingeable reflector
- wide range of application and flexibility at most different environmental conditions**
  - for gas and dust hazardous areas (Zones 2 and 22)
  - wide range of Permissible ambient temperatures -20°C up to +40/50°C
  - especially for application in dusty atmospheres, due to special dust repellent design (zone 22)
  - looping system on one side of the housing; bilateral through wiring system (on request)



## nD187/188...



II 3 G Ex nA IIC T4

II 3 D Ex tD A22 T80°C

IP65



### Certificates:

GOST-ROSTECH-NADZOR (Russia)

Ignition protection: nA

### Marking:

II 3 G Ex nA IIC T4 (Zone 2)

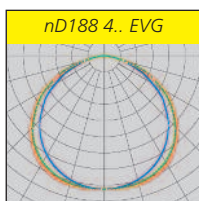
II 3 D Ex tD A22 IP65 T80°C (Zone 22)

### Permissible ambient temperature:

-20°C to +40/50°C (1 or 2 lamps)

-20°C to +40°C (3 or 4 lamps)

Rated voltage: 220-240 V AC/DC, 0 or 50/60 Hz.



Type	Article no.:	Temp. class	Lamps W	Weight ca. kg
<b>narrow housing</b>				
nD187 118 EVG	18701 0001	T4	1 x T 26/18W	10,0
nD187 218 EVG	18701 0002	T4	2 x T 26/18W	10,0
nD187 318 EVG	18701 0003	T4	3 x T 26/18W	10,2
nD187 136 EVG	18701 0004	T4	1 x T 26/36W	17,0
nD187 236 EVG	18701 0005	T4	2 x T 26/36W	17,0
nD187 336 EVG	18701 0006	T4	3 x T 26/36W	17,2
nD187 158 EVG	18701 0007	T4	1 x T 26/58W	21,0
nD187 258 EVG	18701 0008	T4	2 x T 26/58W	21,0
nD187 358 EVG	18701 0009	T4	3 x T 26/58W	21,2
<b>wide housing</b>				
nD188 318 EVG	18701 0201	T4	3 x T 26/18W	15,0
nD188 418 EVG	18701 0202	T4	4 x T 26/18W	15,0
nD188 336 EVG	18701 0203	T4	3 x T 26/36W	22,0
nD188 436 EVG	18701 0204	T4	4 x T 26/36W	22,0
nD188 358 EVG	18701 0205	T4	3 x T 26/58W	27,0
nD188 458 EVG	18701 0206	T4	4 x T 26/58W	27,0

## Further Series / Equipment

- up to 4 cable entries
- various types of glands
- with through wiring system up to 6 x 6,0mm<sup>2</sup>
- with looping the mains cable at one end
- with 2 individual electronic ballasts and monitoring device for individual monitoring the light fitting connected to central or group battery systems
- connecting terminals up 6.0 mm<sup>2</sup>
- stainless steel housing, powder coated
- silicone-free version
- zone 1 version (series e187/188...)
- non explosion proof version (series 187/188..., see water-/dust-proof fittings in catalogue)
- with isolating switch



Explosion-proof  
Light Fittings Zone 2/22

## Accessories / Spare Parts

Type	Article no.	
<b>Spare glass panes</b>		
181 18-1	18090 9001	for narrow housings, 1, 2 und 3 x 18W
181 36-1	18090 9002	for narrow housings, 1, 2 und 3 x 36W
181 58-1	18090 9003	for narrow housings, 1, 2 und 3 x 58W
182 18-1	18090 9004	for wide housings, 3 und 4 x 18W
182 36-1	18090 9005	for wide housings, 3 und 4 x 36W
182 58-1	18090 9006	for wide housings, 3 und 4 x 58W
<b>Cable entries</b>		
2537	90117 9000	explosion-protected cable gland M25 x 1,5
2539	90119 9000	explosion-protected cable gland with plug (M25 x 1,5)
2538	90118 9000	explosion-protected plug M25 x 1,5
<b>Lamp holder</b>		
182/1 T140	90056 9005	ex-proof snap-type/plug-socket holder

Further accessories as well as carrier rail systems and through wiring system are available.