

Floodlight for Lamps up to 500W for Zones 2 and 22 Series nD 2770/2780



Applications:

Hazardous areas of Zones 2 and 22 classification.

Design:

Housing and glass retaining frame are made from weather resistant diecast aluminium, powder coated in black (RAL 9005 mat). The glass frame is locked by 2 socket head cap screws (M6) and it is hinged to body after opening. The electrical components are located inside the floodlight.

Reflector: Depolished purest aluminium.

Front cover: Thermal toughened safety glass glued into the frame.

Connection terminal: Standard: 3 poles for max. 2,5mm² conductor Ø.

Cable entry: 2xM20 x 1,5 (1 gland and 1 plug) or 2 glands upon request.

For some versions heat resistant connection cable is required.

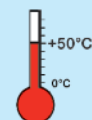
Operating position: Lamp orientation horizontal.

Installation:

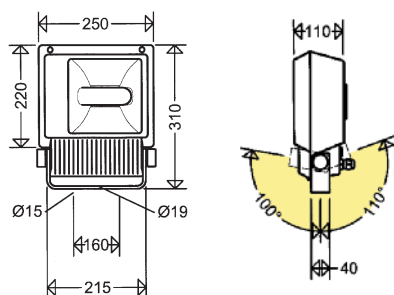
Aluminium stirrup that can be tilted infinitely around the longitudinal axis of the floodlight. Max. range of tilting please see diagrams.

Schuch Quality - your advantage:

- sturdy, high-grade floodlight for reliable and safe long-term use
- compact design, with all electrical components ready for connection
- high-efficient light technical optimized mirror system with high light efficiency factor
- excellent light distribution, glare limitation and minimized stray
- easy to install and to maintain
 - suitable for gas- and dust-hazardous areas (Zone 2 and 22)
 - wide range of Permissible ambient temperatures -20°C up to +50°C
 - for lamps from 80 W up to 500 W



Series nD 2770...



nD2770... II 3 G Ex nR IIC T3/T4 II 3 D Ex tD A22 T150-200°C IP66/67 -0,5m

up to 150W, low bay / high bay version

Ignition protection: nR

Permissible ambient temperature:

Marking:

-30°C up to +40°C or up to +50°C

II 3 G Ex nR IIC T3/T4 (Zone 2)

Rated voltage: 220V up to 240V AC,

II 3 D Ex tD A22 IP66/67 T130-200°C (Zone 22)

0 or 50/60 Hz



Type	Article no.	Temp. class/ max.surface temp.	admiss. amb. temp.	Lamps W	Weight ca. kg
------	-------------	-----------------------------------	--------------------	---------	---------------

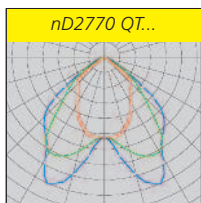
for tungsten halogen lamps up to 150W, socket E27

nD2770/100 QT	27702 0001	T3/160°C	50°C	1 x QT 100	3,5
nD2770/150 QT	27702 0003	T3/180°C	50°C	1 x QT 150	3,5

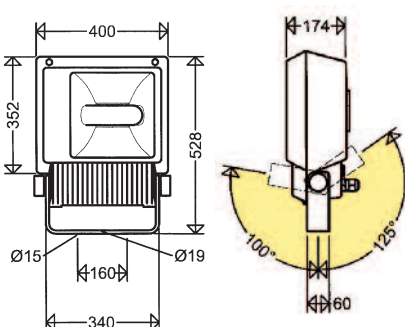
for discharge lamps up to 125W, socket E27

nD2770/80	27702 0005 ¹⁾	T3/170°C ²⁾	50°C	1 x HME 80	4,8
nD2770/125	27702 0007 ¹⁾	T3/200°C	40°C	1 x HME 125	4,8

1) Uncomp., article nos. for comp. see price list 2) Temp. class T4 upon request



Series nD 2780...



nD2780... II 3 G Ex nR IIC T3/T4 II 3 D Ex tD A22 T130-190°C IP66/67 -0,5m

up to 500W, low bay version

Ignition protection, ambient temperature and rated voltage same as for nD2770...

Marking:

II 3 G Ex nR IIC T3/T4 (Zone 2)

II 3 D Ex tD A22 IP66/67 T130-190°C (Zone 22)



Type	Article no.	Temp. class/ max.surface temp.	admiss. amb. temp.	Lamps W	Weight ca. kg ⁵⁾
------	-------------	-----------------------------------	--------------------	---------	-----------------------------

for tungsten halogen lamps up to 500W, socket E27 or E40

nD2780/250 QT ⁴⁾	27802 0001	T3/150°C ²⁾	50°C	1 x QT 250	7,6
nD2780/500 QT	27802 0003	T3/190°C	40°C	1 x QT 500 ³⁾	7,6

for discharge lamps up to 400W, socket E40

nD2780/150 HS	27802 0005 ¹⁾	T4/130°C	40°C	1 x HST 150	8,2
nD2780/250 HS	27802 0007 ¹⁾	T3/170°C	50°C	1 x HST 250	12,1
nD2780/400 HS	27802 0009 ¹⁾	T3/190°C	40°C	1 x HST 400	14,9
nD2780/250 HI	27802 0011 ¹⁾	T3/170°C ²⁾	50°C	1 x HIT 250	12,1
nD2780/400 HI	27802 0013 ¹⁾	T3/190°C	40°C	1 x HIT 400	12,1

1) Uncomp., article nos. for comp. see price list 4) for tungsten halogen lamps

2) Temp. class T4 upon request

5) Weights without packing material

3) IDE der Fa. Philips

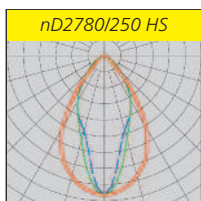




Photo: BASF

Explosion-proof
Light Fittings Zone 2/22



Further series / Equipment

- with connection terminals up to 6mm²
(series nD2780 only)

- with wire guard



Accessories / Spare Parts

Type	Article no.	Product
2780 SG	27801 9001	
27700	27701 9000	spare glass with frame for nD 2770
27800	27801 9000	spare glass with frame for nD 2780
2587	90120 9002	ex-proof brass gland M20 x 1,5
2589	90121 9002	ex-proof brass plug M20 x 1,5