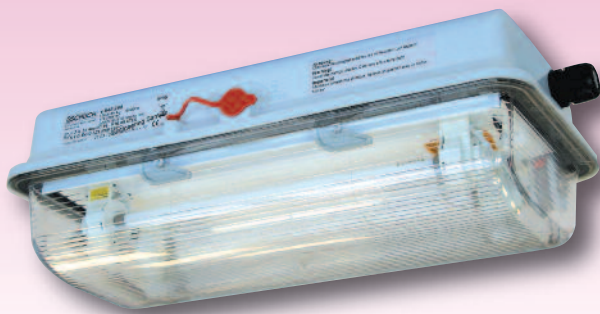


NEW

Small Explosion-Protected Light Fittings Zones 2 and 22 Series nD849...



Application:

Hazardous areas in Zones 2 and 22 as standard illumination or as information lighting (with pictogram) or as central battery emergency lighting.

Design:

Housing: Glass fibre reinforced polyester resin.

Diffuser: Clear polycarbonate with internal prisms, hinged and detachable.

Gasket: EPDM

Reflector: White painted sheet steel, hinged and detachable.

Central locking system: Operated by a hexagonal box spanner 13mm.

Circuit: Twin-channel electronic ballast with "end-of life" protection.

Connection terminals: Standard: L1+N+PE; up to 2.5 mm².

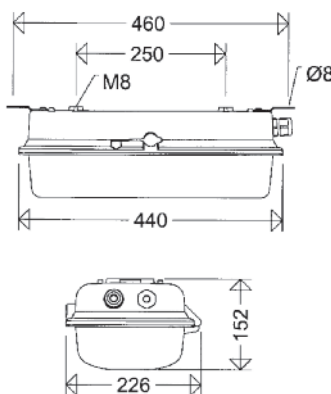
Cable entries: 2 entries M25 x 1.5 (2 cable glands, 1 with blanking plug enclosed).

Through wiring: Standard with looping of mains cable at one end 3 x 2.5mm² (5 wire optional).

Mounting: Side fixing brackets allow direct mounting on to walls or ceilings.

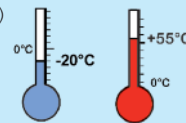
Note:

Special versions available for special application requirements such as in humid atmospheres, wastewater and rainwater reservoirs, water treatment plants, etc.



Schuch Quality - your advantage:

- robust design of high chemical resistance for application in rough industrial conditions:**
 - glass fibre reinforced polyester housing
 - impact resistant polycarbonate diffuser (uniform wall thickness: 2,5mm)
 - extremely resistant, dimensionally stable EPDM gasket which guarantees a permanently safe ingress protection
- reliable, fail-safe and long-life thanks to a special explosion-protected electronic ballast (EVG) with high grade quality features:**
 - "end-of-life protection" i.e. at the end of its life a fluorescent tube is safely switched off (acc. to the latest standards IEC 60079-7 with 2 safety circuits test 1 and test 2)
 - standard twin-channel with separate lamp monitoring
- easy installation and maintenance with built-in safety**
 - Original SCHUCH central locking system with hinged diffuser for easy lamp replacement
 - easily accessible connection chamber behind the hinged reflector
- wide range of application and flexibility for a variety of environmental conditions**
 - certified for use in potentially explosive gas and dust atmospheres (zones 2 and 22)
 - permissible ambient temperature range from -20°C to +55°C
 - single-end IN-OUT wiring
- excellent light distribution and glare limitation thanks to an optimized prismatic diffuser**



nD849...



II 3 G Ex nA IIC T4

II 3 D Ex tD A22 T80°C

IP66



Approvals:

GOST-R/ROSTECH-NADZOR (Russia)

Marking:

II 3 G Ex nA IIC T4

(Zone 2)

II 3 D Ex tD A22 IP66¹⁾ T80°C

(Zone 22)

Permissible ambient temperature:

-20°C up to +55°C

Rated voltage:

220-240V AC/DC,

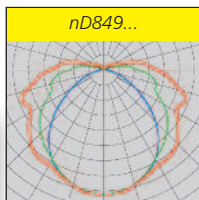
0 or 50-60Hz.



Type	Article no.	Temp. cl./ Tmax °C	Lamps W	Weight ca. kg
nD849 108	84900 0001	T4	1 x T16/8W	3,9
nD849 208	84900 0002	T4	2 x T16/8W	4,0

1) If breathers are used, possible reduction of ingress protection to IP64

2) Weights without packing material



Cable looping at one end:

All light fittings of series e849... have 2 cable entries M25 x 2.5 on the connection end of the housing, thus allowing a more economical cable looping at one end instead of the classical through wiring system (surcharge for 5-pole version).

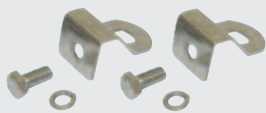


Further Series / Equipment

- with alternative cable glands
- with monitoring module for individual monitoring of the light fittings connected to group or central battery systems
- emergency light version (series nD848...)
- for Zone 21 lighting for dust Ex areas (series tD847...)
- version for Zone 22 lighting for dust Ex areas (series tD849...)
- version for Zone 1/ 21 lighting (series e845...)
- version for Zone 1/ 21 emergency lighting (series e846...)
- non-hazardous version

Mounting accessories

Suspension bracket H8V P



Ceiling bracket 15A P



Pipe clamp RO84... A



Wall bracket W26 P



Wall bracket W26/45 P



Self-adhesive pictograms for identification of escape routes acc. to VGB 125 and DIN 4844.



121/33 W



../34



../35

Recognition distance acc. to EN 1838 and DIN 4844 = 25m.

Further Series / Equipment

Type	Article no.	
Spare diffuser		
845	84501 9001	spare diffuser PC
Cable entries / Glands / Breathers		
2537	90117 9000	ex- plastic cable gland M20 x 1.5
2538	90118 9000	ex- plastic cable gland M25 x 1.5
KLIMASTUTZEN EX	90259 9000	M25 x 1,5 ex-breather
Lamp holder		
847/1 T130	90056 9009	lamp holder
Mounting accessories		
H8V P	90001 0002	2 suspension bracket with screws M8, stainless steel
15A P	90000 0002	2 ceiling brackets, hot galvanized steel
15AV P	90032 0002	2 ceiling brackets, stainless steel
RO84 112 A P	90037 0004	2 pipe clamps 1 1/2", stainless steel, with support
RO84 2 A P	90038 0004	2 pipe clamps 2", stainless steel, with support
W 26 P	26000 0004	2 wall brackets, galvanized steel
W 26/30 P	26000 0002	2 wall brackets 30°, galvanized steel
W 26/45 P	26000 0003	2 wall brackets 45°, galvanized steel
Self-adhesive pictogram		
121/33 W	12112 0006	emergency EXIT, left
121/34 W	12112 0007	emergency EXIT, right
121/35 W	12112 0008	emergency EXIT, down