

NEW

Small Explosion-Protected Emergency Light Fittings with Self-Contained Battery Unit Series e846 ..././..



Application:

Hazardous areas in Zones 1, 2 and 21, 22 as safety illumination and as information or escape route lighting.

Mechanical design:

Housing and battery box: Glass fibre reinforced polyester.

Diffuser: Clear polycarbonate with internal prisms, hinged and detachable.

Gasket: EPDM

Reflector: White painted sheet steel, hinged and removable.

Disconnect switches: 2 switches for isolation of all poles when the light fitting is opened. Optical indicator shows the ac-

tual position of the switch.

Circuit: Twin channel electronic ballast with "end-of life" protection.

Connection terminals: Standard: L1+N+PE; up to 2.5 mm².

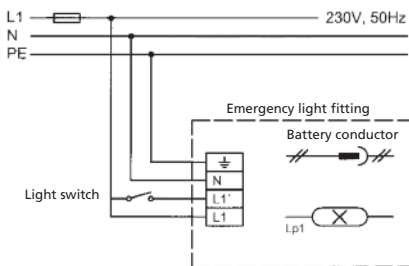
Cable entries: 2 entries M25 x 1.5 (2 cable glands, 1 with blanking plug, enclosed).

Through wiring: Standard with looping of mains cable at one end 4 x 2.5mm² (6-wire optional).

Mounting: Side fixing brackets allow direct mounting on to walls or ceilings.

Note:

Special versions available for special application requirements such as in humid atmospheres, wastewater and rainwater reservoirs, water treatment plants, etc.



Commissioning: connect battery conductor

Decommissioning: disconnect battery conductor

Lamp: operates in mains mode and on mains failure in emergency mode

Stand-by mode: L1' not connected

Electrical design:

Microprocessor-controlled intelligent emergency lighting electronics with electronic ballast (EVG) with "end-of-life" protection acc. to IEC 61347-2-3. Redundant deep discharge protection and restart block. Multi-function LED for monitoring the emergency function and coded indication of status.

NiCd batteries: 6 V/2.5 Ah or 6 V/1.5 Ah, maintenance-free, located in the battery box, easy replacement. Electrical disconnection whenever the polycarbonate cover is opened.

Automatic monitoring: Weekly function test, and annual 2/3 operating-time test. Test results shown by LEDs on the fitting.

Recharging time: (Electronic deep discharge protection) 24h, acc. to EN 60598-2-22.

Mode of operation:

Maintained mode: Switches over to bat-

tery operation in the event of a mains failure.

Connection terminals: Standard: L1, L11, N, PE; up to 2.5 mm².

1. Direct phase L1, (or L2, L3) comes from the circuit fuse and is directly (not via the switch) connected to L1 terminal (or L2, L3) (= charging phase). Consequently, if the light fitting is switched off, the direct phase is live unless the fuses are open or removed.

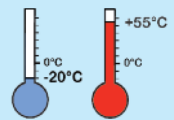
2. Switched phase L1' (or L2', L3') goes to connection terminal L11 (or L21, L31) via the switch and must be electrically identical to the direct phase L1 (or L2, L3).

3. Neutral conductor N: In the case of networks with 220V between phases, a 2nd phase, e.g. L2 or L3, is selected instead of the N conductor.

4. Earth conductor PE

SCHUCH Quality - your advantage:

- intelligent microprocessor-controlled emergency electronics with integral electronic ballast (EVG).
 - „end-of-life protection“ (acc. to the latest standards IEC 60079-7 with 2 safety circuits test 1 and test 2)
 - multi-function LED with coded indication of function, status and possible failures of the electronics and batteries
 - special signal whenever there is an EOL situation (flashing red LED)
 - maintained or stand-by mode wiring
 - weekly automatic function test
 - annual automatic operating-time test
 - manual function and operating-time tests possible at anytime
 - easy battery replacement even in the hazardous area
- for use in a wide range of ambient temperatures -20°C up to +55°C
 - with intelligent electronic charging of the battery even at -20°C

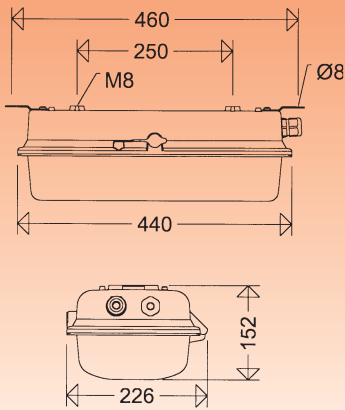


Looping the cable on one end:

All light fittings of series e846... have 2 cable entries M25 x 2.5 on the connection end of the housing, thus allowing a more economical cable looping at one end instead of the classical through wiring system (surcharge for 6-pole version).



Foto: BASF



e846 ..././..



II 2 G Ex deq IIC T4

II 2 D Ex tD A21 T80°C

IP66



EC-Type Examination Certificate:

TÜV 09 ATEX 7795

Other approvals:

GOST-R/ROSTECH-NADZOR (Russia)

Marking:

II 2 G Ex deq IIC T4 (Zone 1)

II 2 D Ex tD A21 IP66 ¹⁾ T80°C (Zone 21)

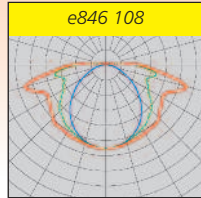
Type of protection: e (increased safety)

Rated voltage: 220-254V, AC, ± 10%, 50-60Hz

Permissible ambient temperature:

-20°C up to +55°C

Nominal range 0°C up to +40°C



Type	Article no.	Lamps W ¹⁾	Lumin. flux-fact. ca. %	Weight ca. kg ²⁾
------	-------------	-----------------------	-------------------------	-----------------------------

1h battery-mode operation

e846 108/1/1,5	84600 0001	1 x T16/8W	55	4,9
----------------	------------	------------	----	-----

e846 108/1/2,5	84600 0002	1 x T16/8W	85	5,1
----------------	------------	------------	----	-----

3h battery-mode operation

e846 108/3/2,5	84600 0003	1 x T16/8W	30	5,1
----------------	------------	------------	----	-----

1) A climatic breather may reduce the IP rating to IP64 (depending on the orientation of the breather)

2) Weights without packing material.

Mounting accessories

Suspension bracket H8V P



Ceiling bracket 15A P



Pipe clamp RO84... A



Wall bracket W26 P



Wall bracket W26/45 P



Further Series / Equipment

- with 1.5h battery-mode operation

- with connections for remote switch

Explosion-proof Light Fittings Zone 1/21



Self-adhesive pictograms for identification of escape routes acc. to VGB 125 and DIN 4844.



121/33 W



../34



../35

Recognition distance acc. to EN 1838 and DIN 4844 = 25m.

Accessories / Spare Parts

Type	Article no.	
Spare batteries		
AKKU 8020	90222 9023	spare battery 1.5Ah
AKKU 8021	90222 9024	spare battery 2.5Ah
Spare diffuser		
845	84501 9001	spare diffuser PC for 18W
Cable entries / Glands / Breathers		
2537	90117 9000	ex- plastic cable gland M25 x 1.5
2538	90118 9000	ex- plastic threaded blanking plug M25 x 1.5
KLIMASTUTZEN EX	90259 9000	M25 x 1,5 breather
Lamp holder		
e8912	90189 9003	ex- turn-latch lamp holder
Mounting accessories		
H8V P	90001 0002	2 suspension bracket with screws M8, stainless steel
15A P	90000 0002	2 ceiling brackets, hot galvanized steel
15AV P	90032 0002	2 ceiling brackets, stainless steel
RO84 112 A P	90037 0004	2 pipe clamps 1 1/2", stainless steel, with support
RO84 2 A P	90038 0004	2 pipe clamps 2", stainless steel, with support
W 26 P	26000 0004	2 wall brackets, galvanized steel
W 26/30 P	26000 0002	2 wall brackets 30°, galvanized steel
W 26/45 P	26000 0003	2 wall brackets 45°, galvanized steel
Self-adhesive pictogram		
121/33 W	12112 0006	emergency EXIT, left
121/34 W	12112 0007	emergency EXIT, right
121/35 W	12112 0008	emergency EXIT, down